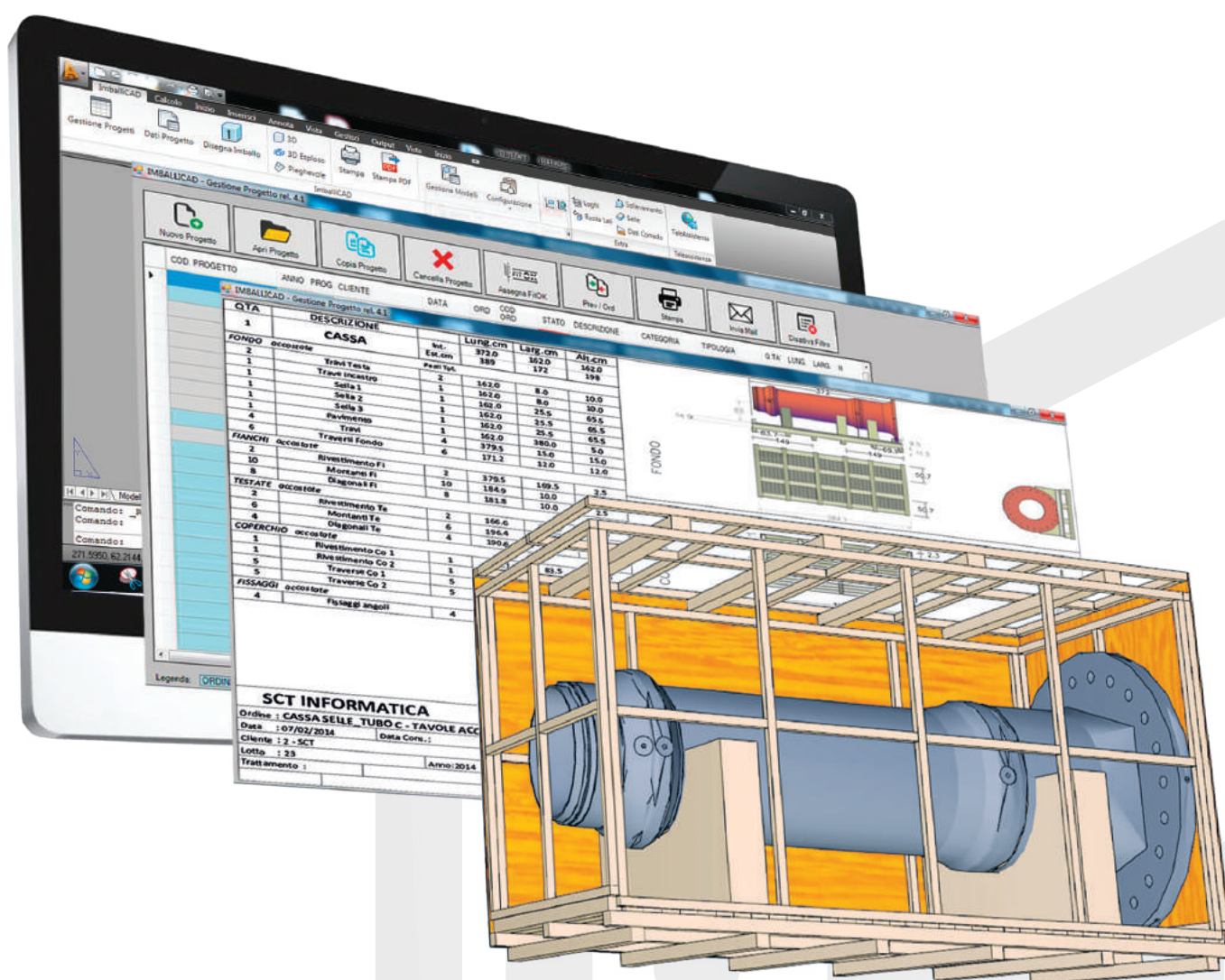




Packdesign

Software solution for the design and production of wooden packaging





Packdesign

Packdesign caters to all the design needs of the wood packaging industry. It can generate construction drawings of crates, boxes, and pallets automatically, based on content weight and size.

Packdesign calculates perspective designs, production data and commercial quotes, out of a 3D design engine. On top of it, all kinds of accessories can be managed through it.

Packdesign comes with a number of standard wooden packaging types, but it allows to easily create your own “master design” through a simple and intuitive visual editor.

Once created, every master design serves as a base to draw projects by inputting the size and weight of the content good.

Packdesign can be used to design and cost.

- **2 and 4 way pallets, which can be further customized with a freehand function.**
- **Wooden crates and boxes.**
- **Open crates.**
- **Foldable boxes and hybrid boxes.**
- **Industrial crates with container bases.**
- **Saddles.**

Using the 3D function as engine, Packdesign produces and helps managing: +

- . **Quotes, orders, and production tracking.**
- . **Customers data and history.**
- . **Production slip, as printout or digital file.**
- . **Bill of materials and cut sheet.**
- . **Production cost calculation.**
- . **Accessories like dessicant bags, foil protection, bolts, markings, metal reinforcements, handling indicators.**
- . **Calculation of wood and plastic wastage tax.**
- . **Customization of labels, production sheets and drawings to a specific graphics or layout.**



Packdesign

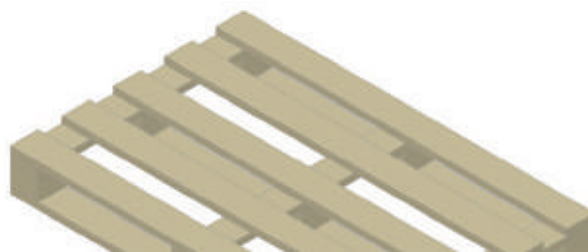
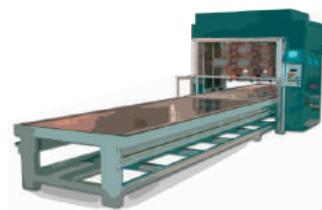
The creation of a crate or pallet in Packdesign is done in few simple steps:

- 1** Choice of master type and input of weight and size parameters
- 2** Check of the automatically created 2d drawing and bill of material sheet.
- 3** Any desired modifications to the structure of the packaging can be made directly on the BOM, and is automatically applied to the drawing.

After this quick process, Packdesign instantly generates the following resources:

- 1** 2D and 3D drawing of the packaging components, with calculation of all the technical data (cubic meters, surface area, volume, outside measurements, and weight).
- 2** Commercial quote, production printout, assembly guide, cutting list.
- 3** Computer-Aided-Manufacturing (CAM) files for CNC nailing and crosscut saw machines.

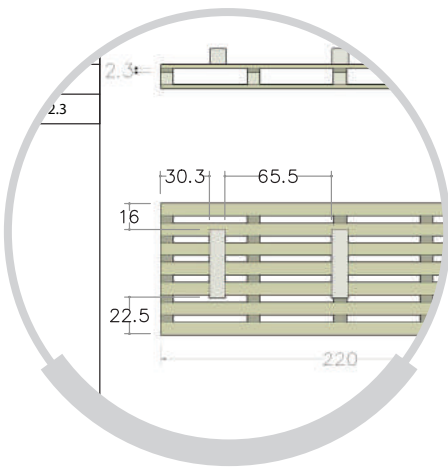
At all times, the origin input data can be edited, and all the resources are instantly recalculated.



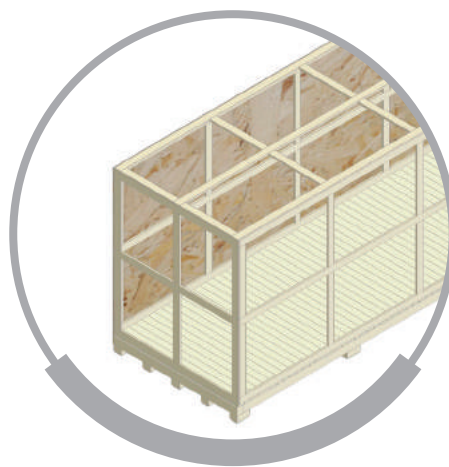


Packdesign

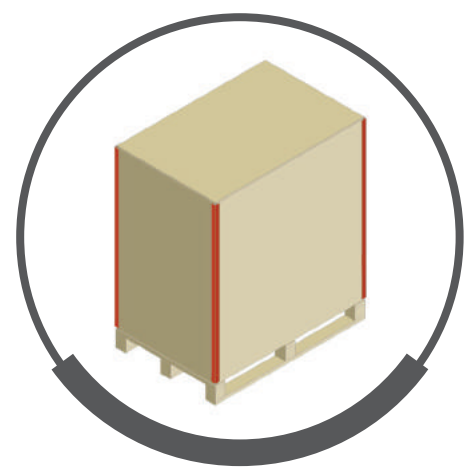
These categories of wooden packaging are common usage of Packdesign.



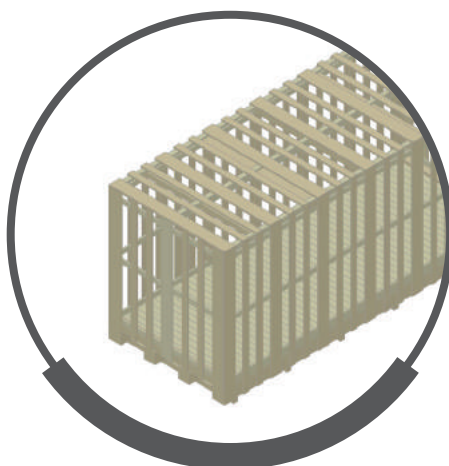
2 and 4 way pallets including freehand input customizations.



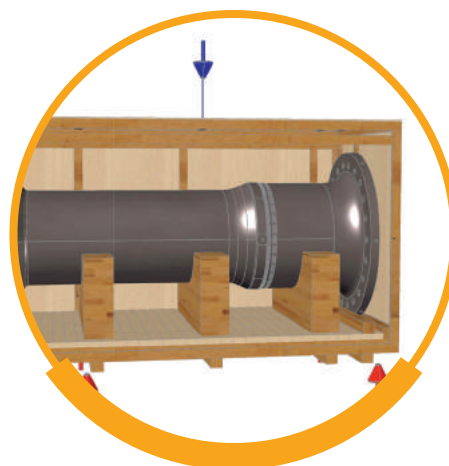
All kinds of wooden crates and boxes.



Foldable boxes and hybrid boxes.



Open crates.



Industrial crates with container bases and custom saddles.



SCT INFORMATICA s.r.l.
Corso Emanuele Filiberto 8/A
23900 Lecco
Tel. +39 0341 422929
info@sctinformatica.it
www.sctinformatica.it